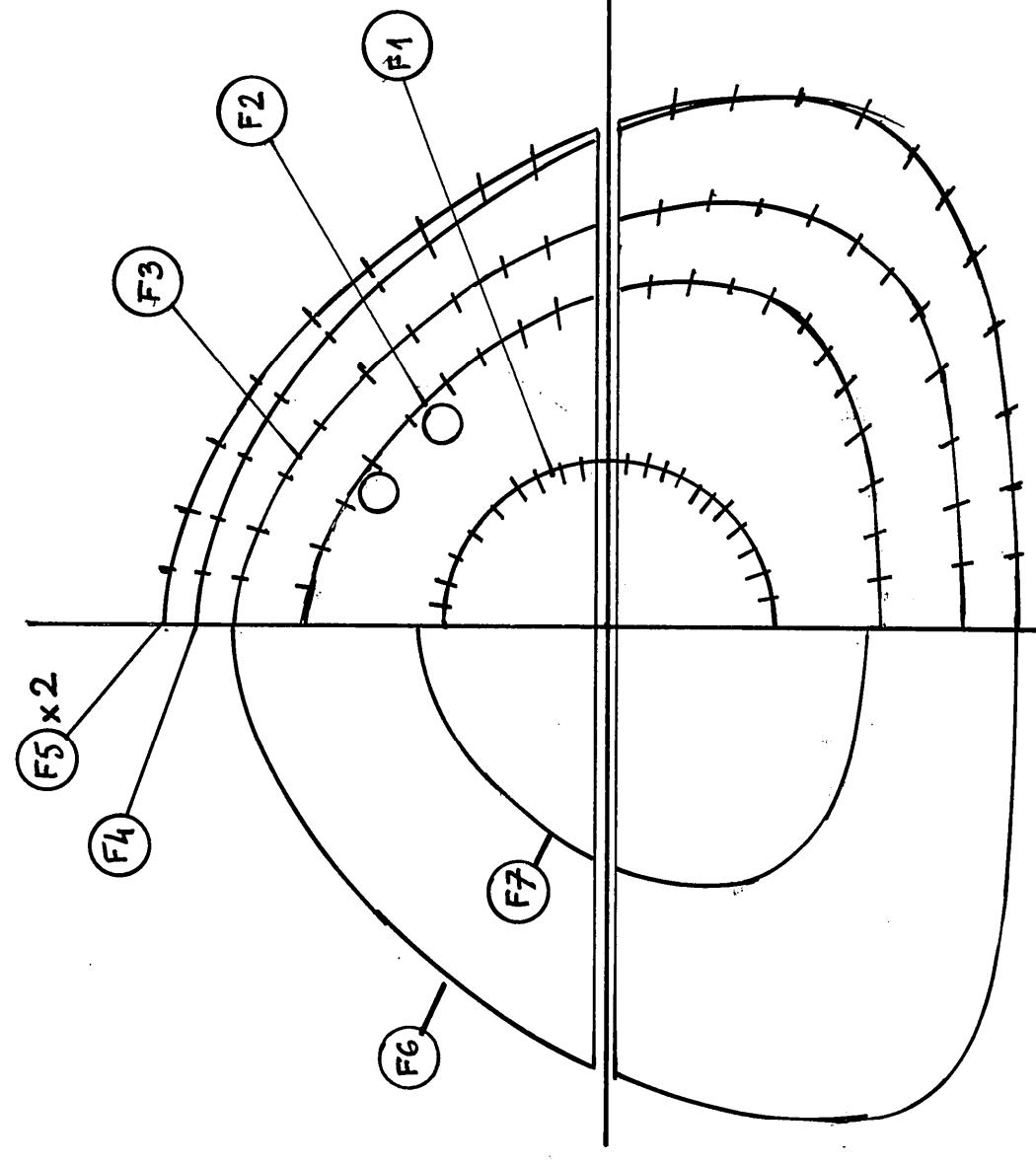
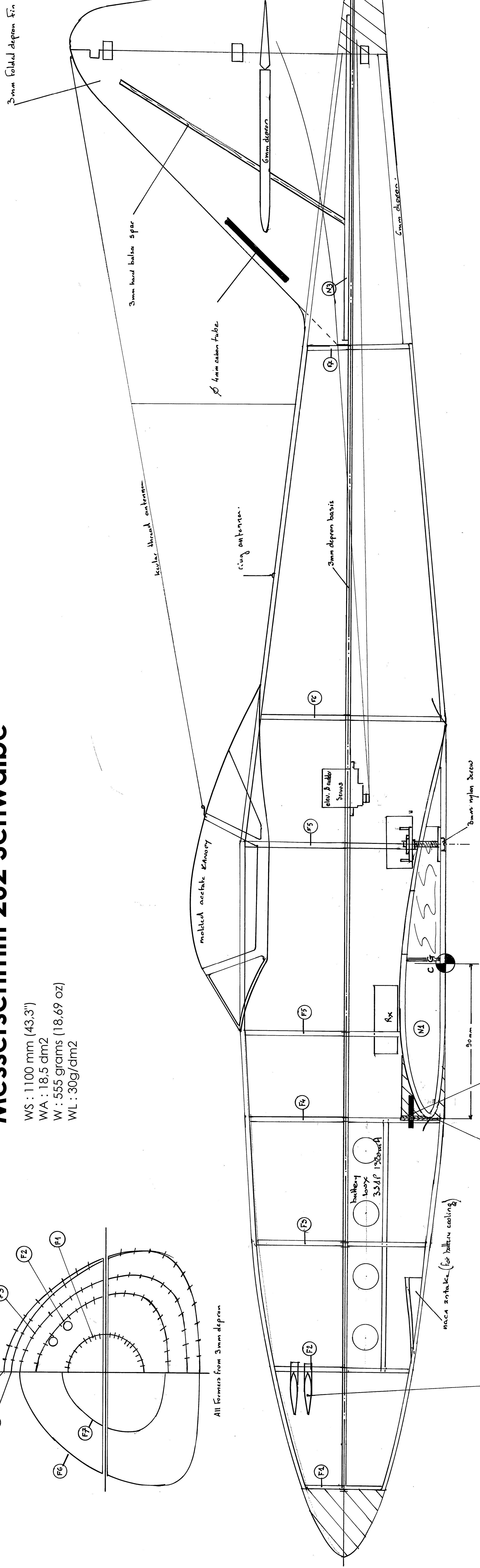


# Messerschmitt 262 Schwalbe

WS : 1100 mm (43.3")  
 WA : 18,5 dm2  
 W : 555 grams (18,69 oz)  
 WL : 30g/dm2



All Formers from 3mm depron

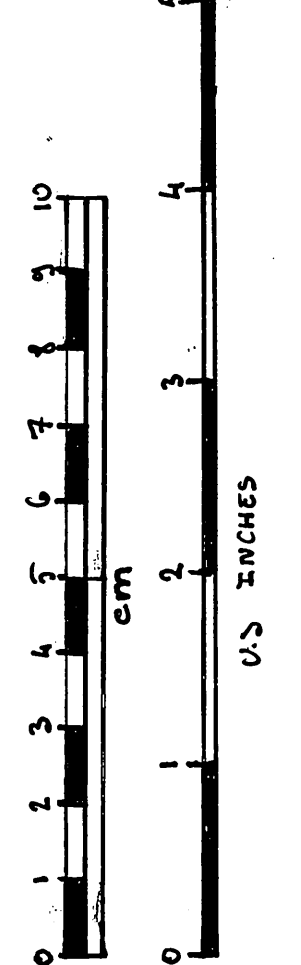
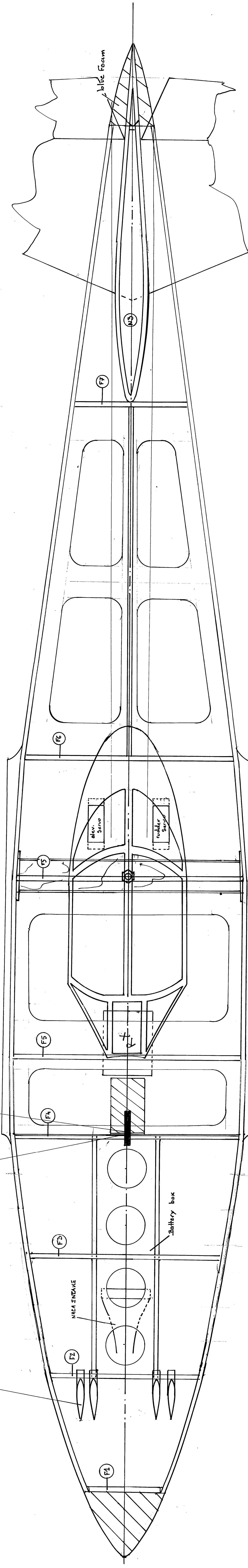


3mm nylon screws

3mm carbon

1mm plywood

3mm plastic tubes (air inlets for battery cooling)



Designed and drawn by Philippe Jamet 2008  
 Copyright by Philippe Jamet