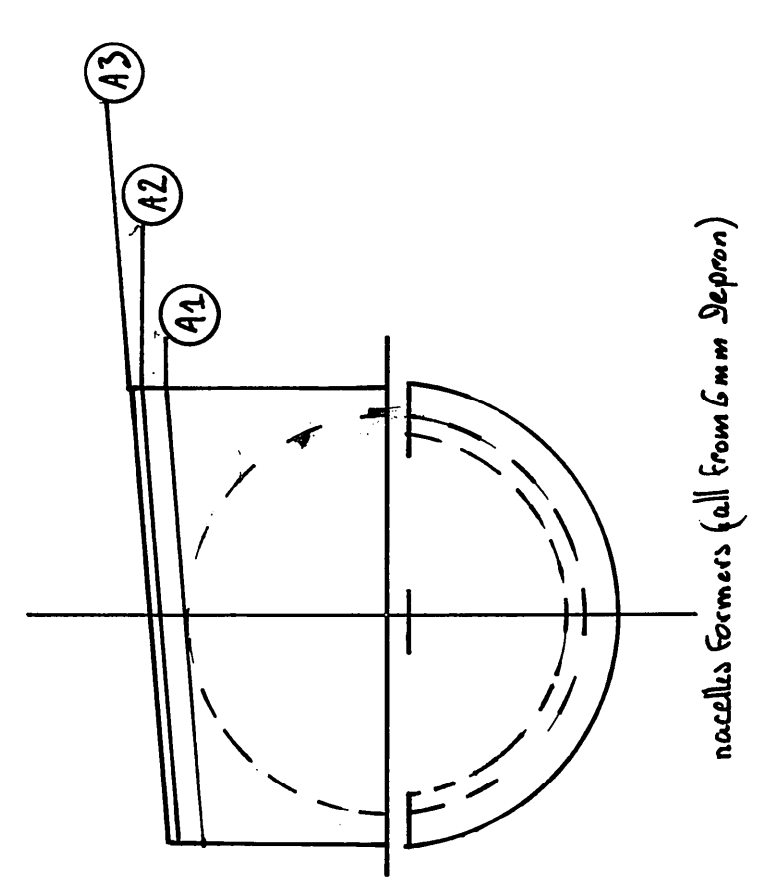
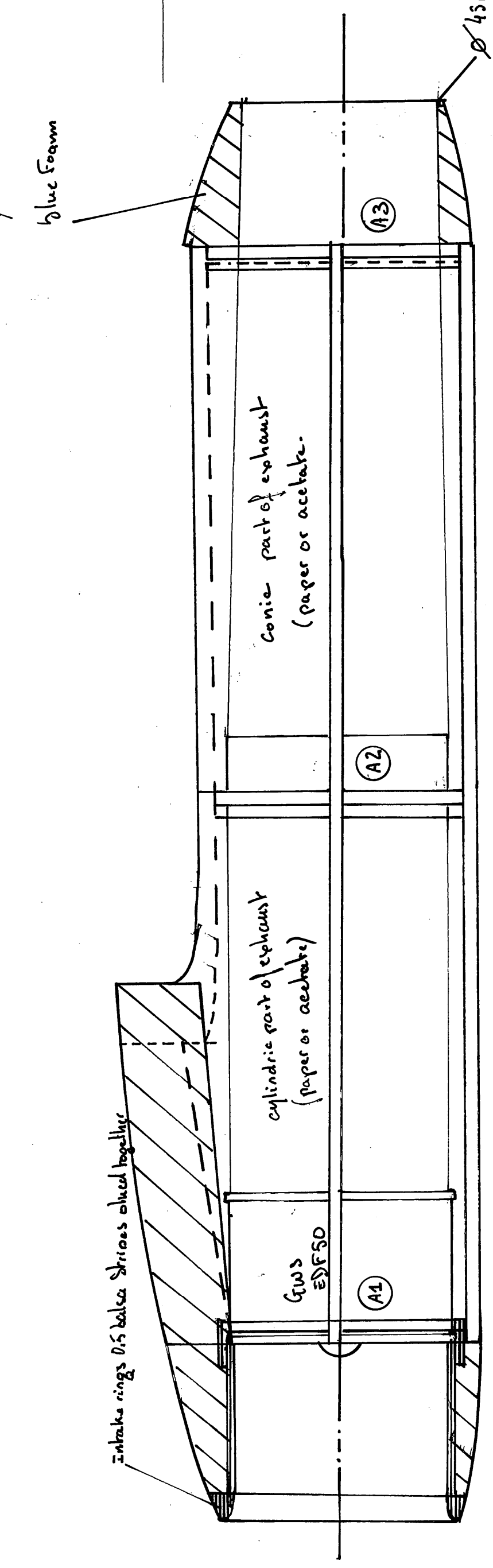
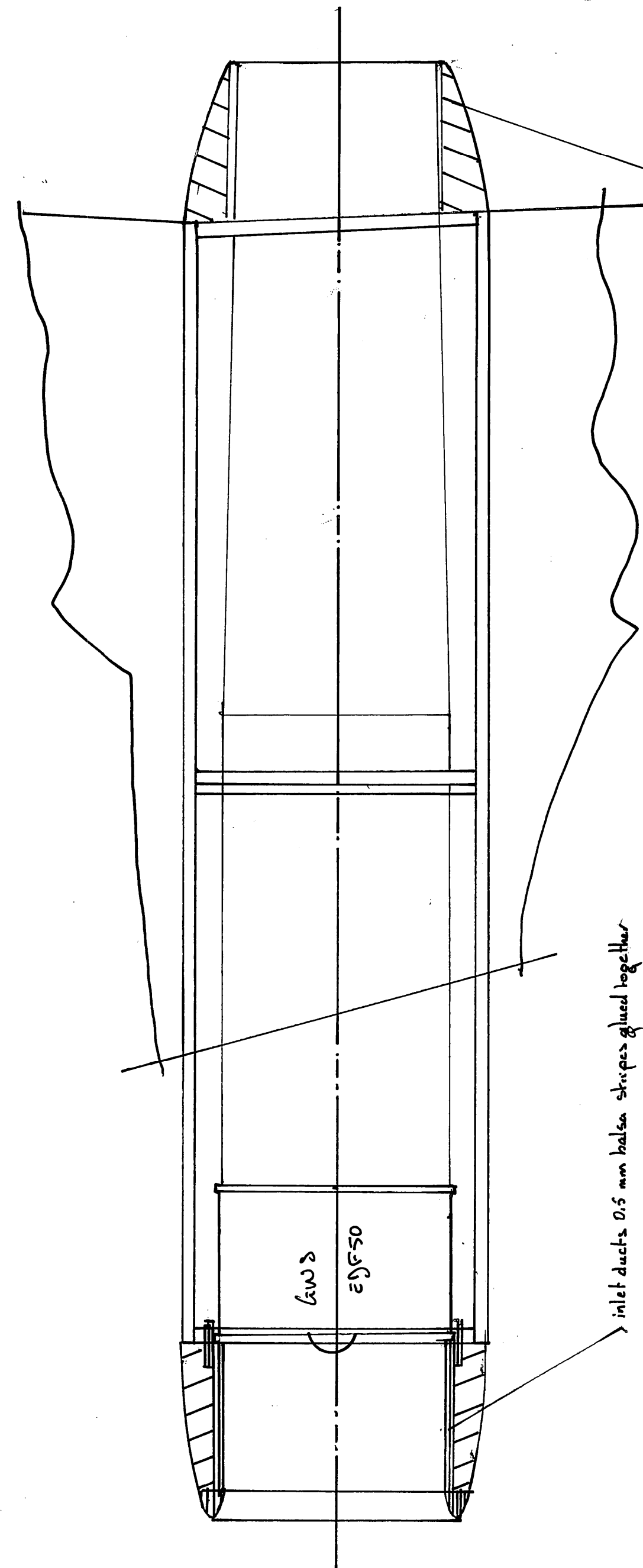
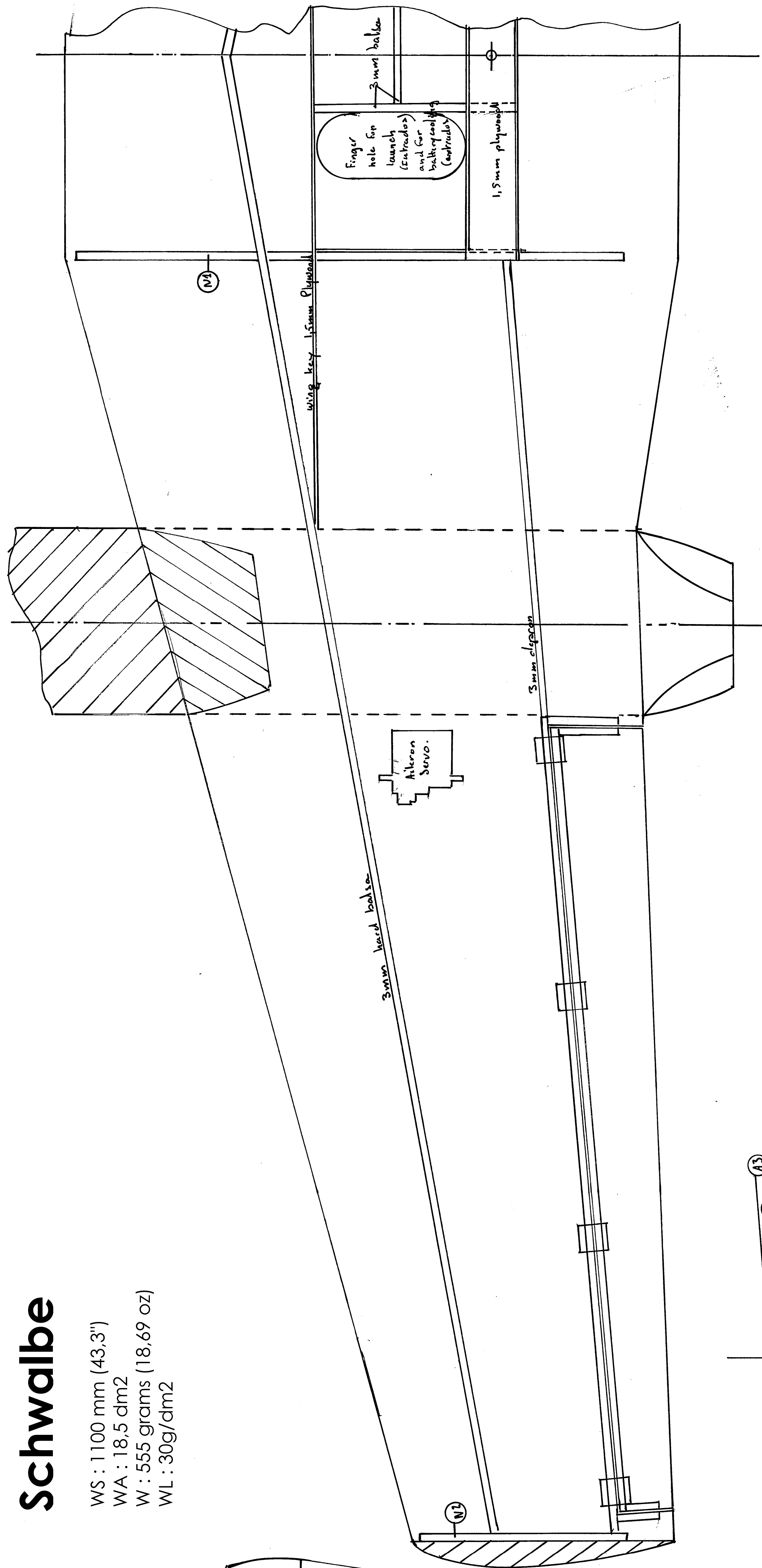
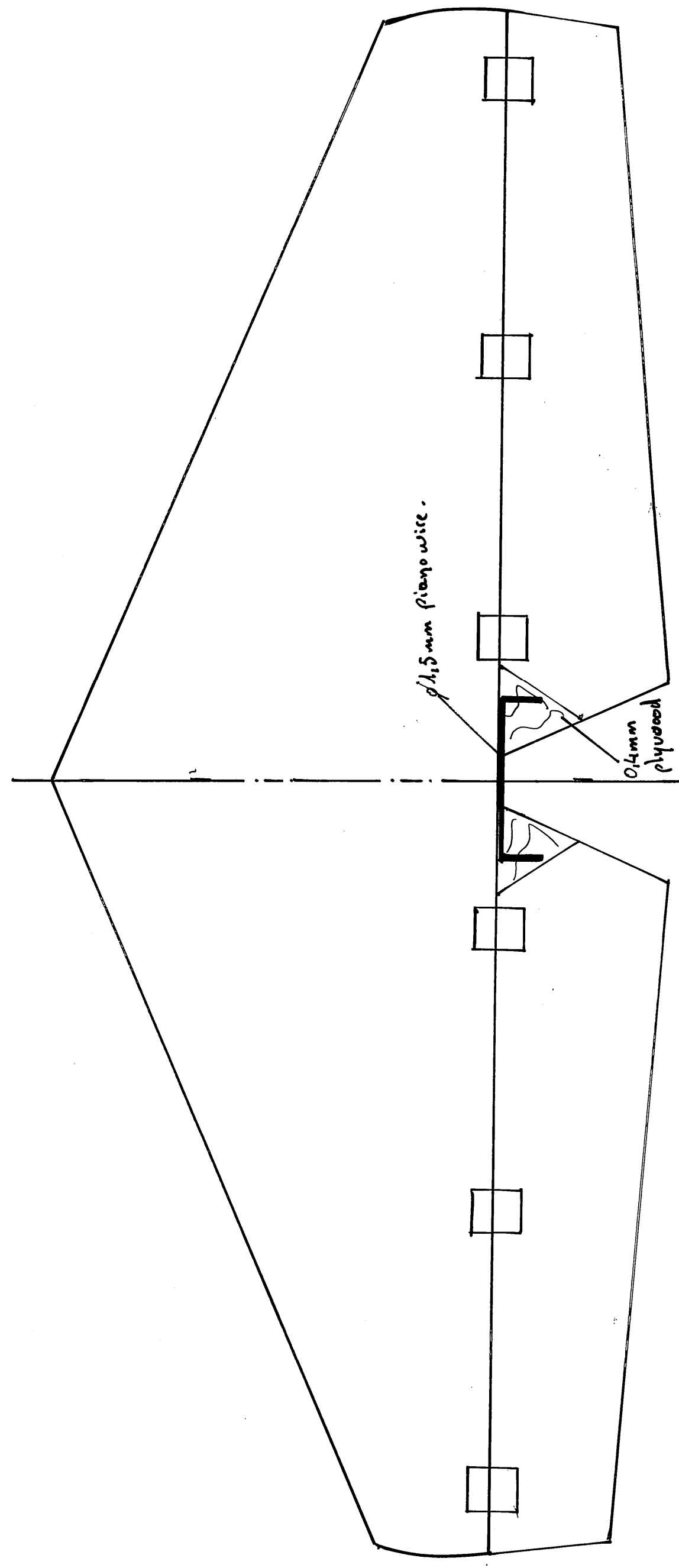
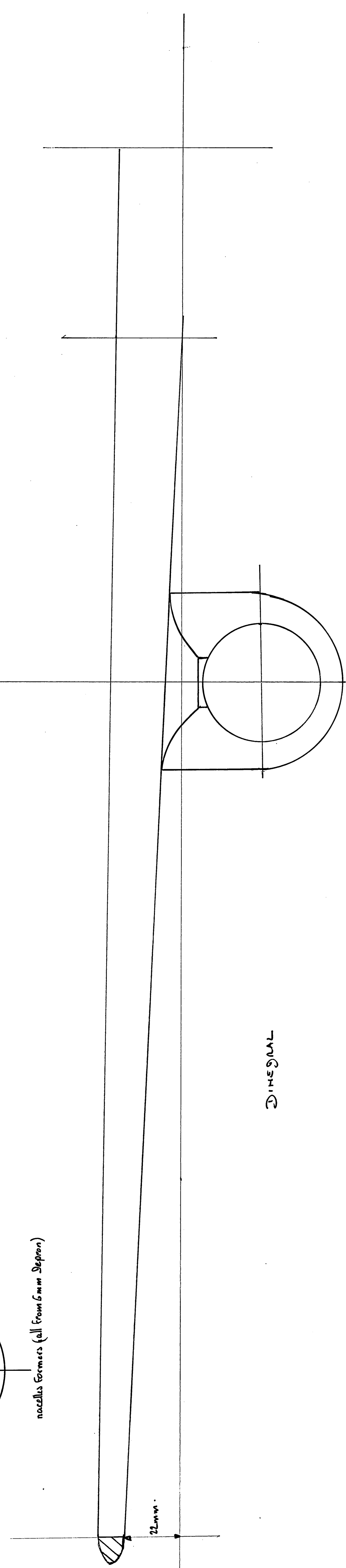
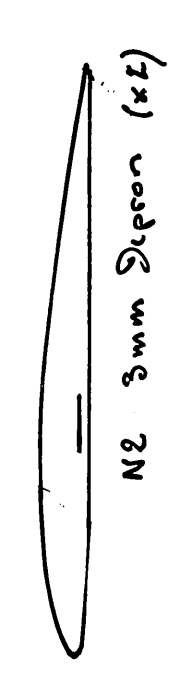
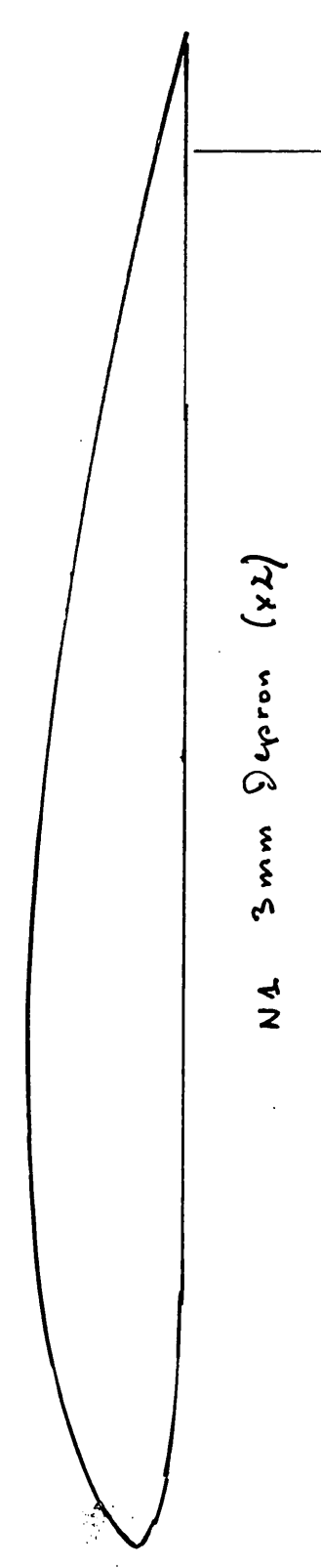


Messerschmitt 262 Schwalbe

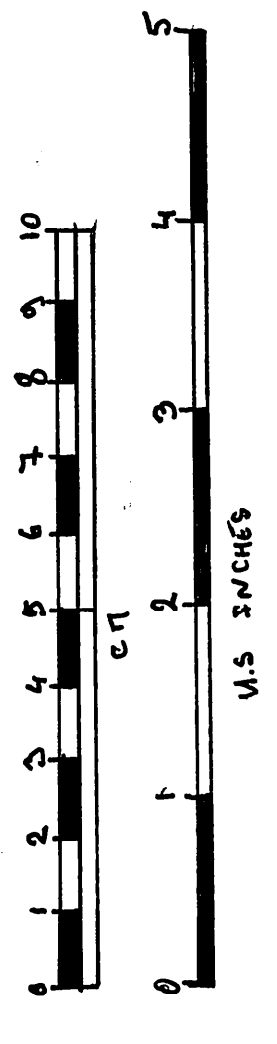
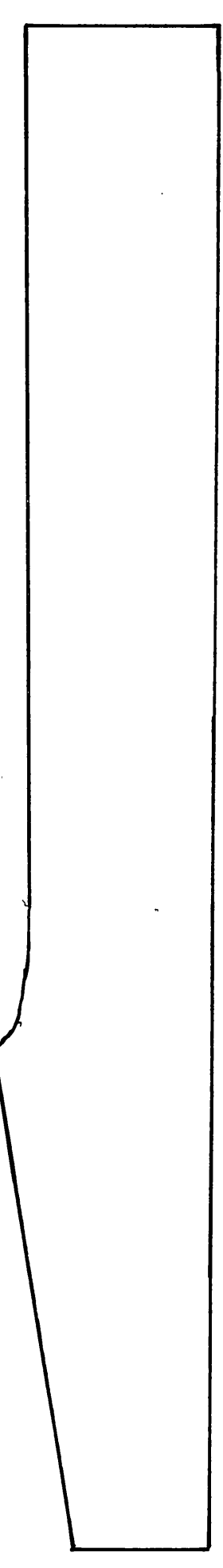
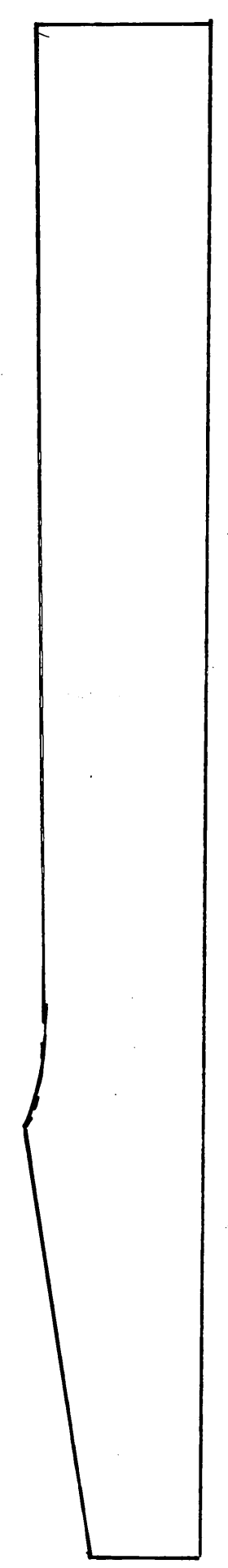
WS : 1100 mm (43.3")
 WA : 18.5 dm2
 W : 555 grams (18.69 oz)
 WL : 30g/dm2



Wings are from filled 3mm styron sheets.



nacelle (xl) beware of building a LEFT and a RIGHT nacelle!



Designed and drawn by Philippe Jamet 2008
 Copyright by Philippe Jamet